



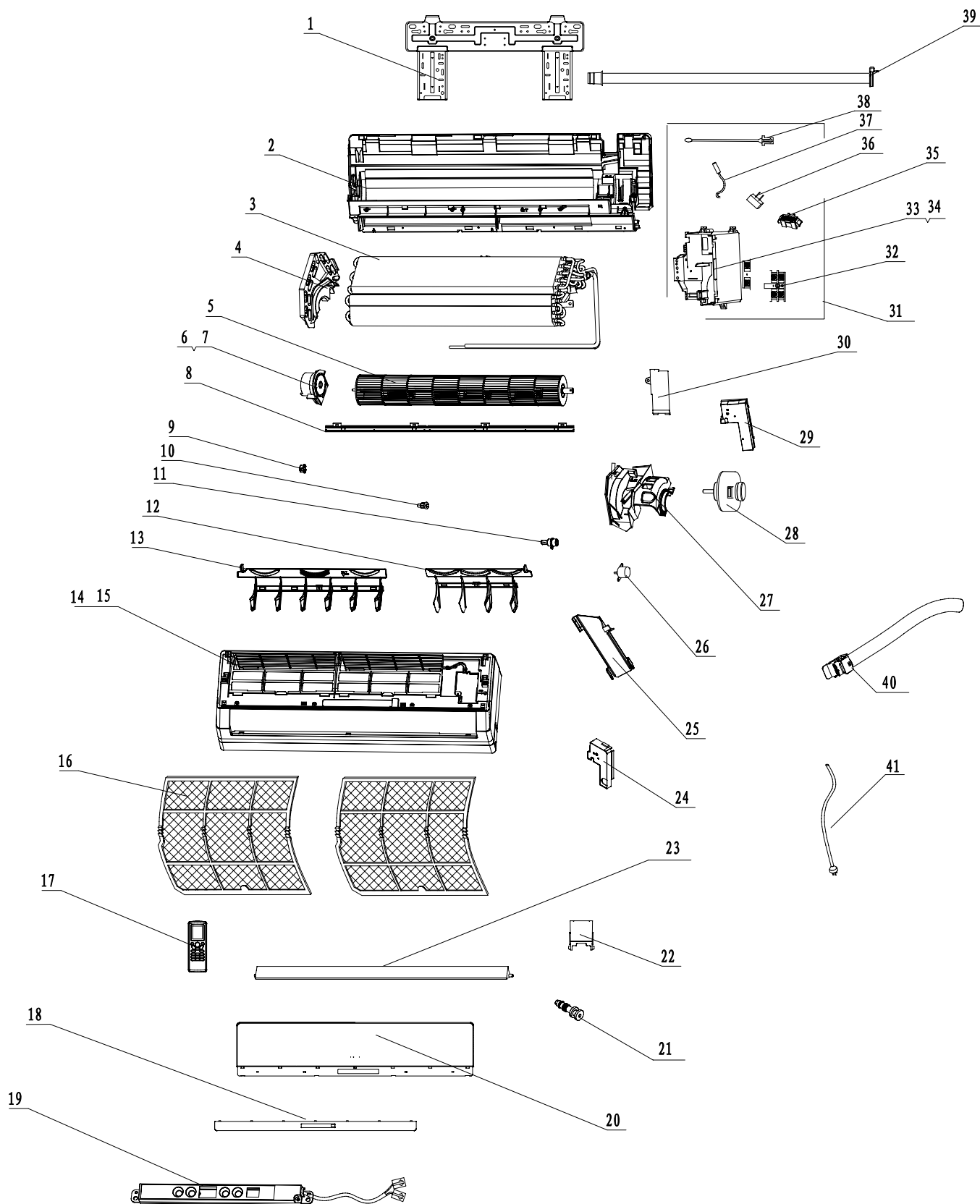
GWH - DRED COZY

SPARE PARTS LIST

February 2023

GWH09MB-K3DNA2H/I (DRED)

Exploded View



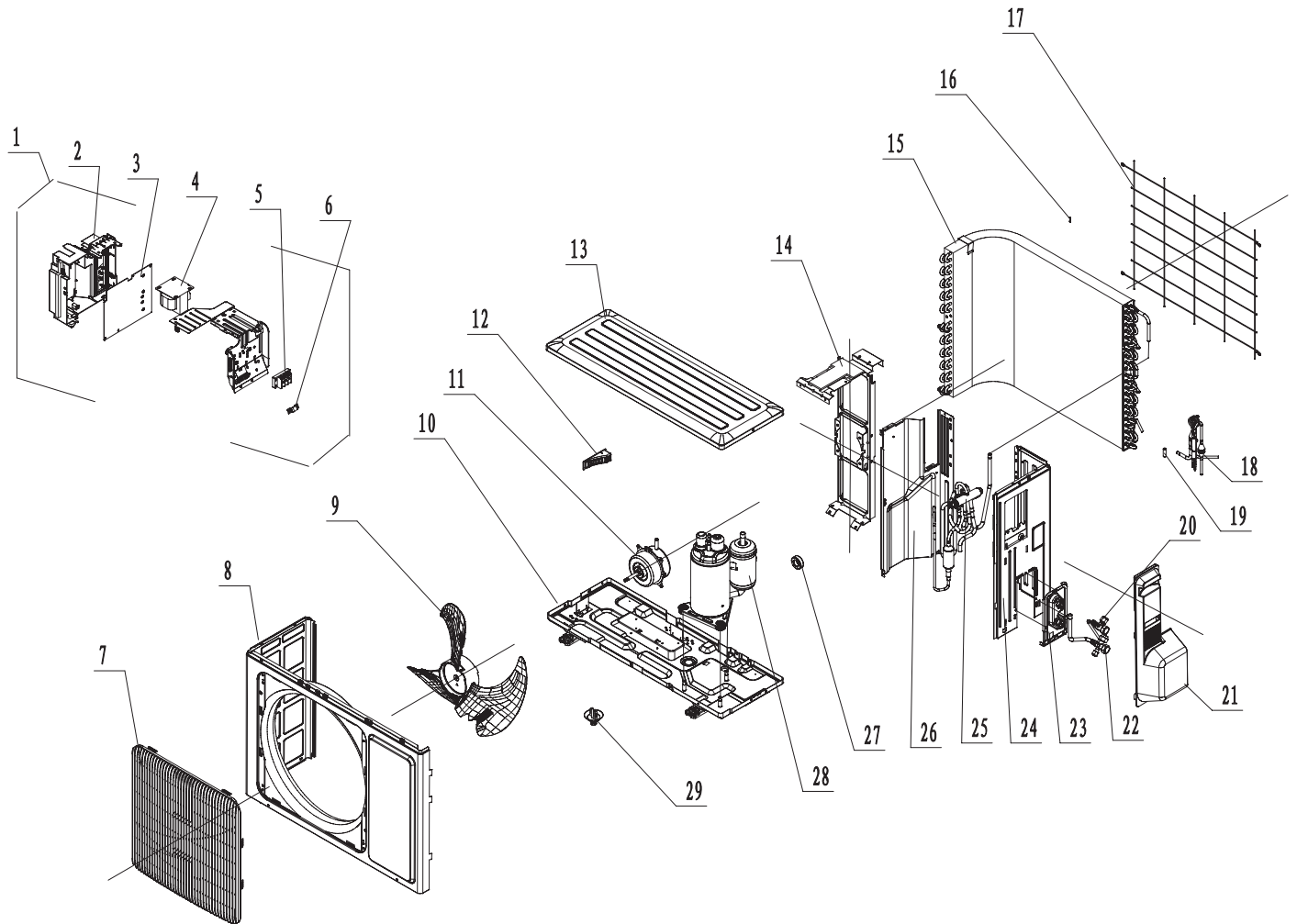
GWH09MB-K3DNA2H/I (DRED)

Spare Parts List

No.	Part Description	Part Code
1	Wall Mounting Frame	01252021
2	Rear Case assy	2220210302
3	Evaporator Assy	100242201
4	Evaporator Support	24212091
5	Cross Flow Fan	10352017
6	Ring of Bearing	26152022
7	O-Gasket sub-assy of Bearing	7651205102
8	Helicoid Tongue	26112163
9	Left Axile Bush	10512037
10	Crank	10582070
11	Axile Bush	10542036
12	Air Louver 1	10512156
13	Air Louver 2	10512155
14	Front Case Sub-assy	20012139
15	Front Case	20012123
16	Filter Sub-Assy	1112220403
17	Remote Controller / YAA1FB	30510516 / 30510125
18	Receiver Window	N/A
19	Display Board	30565056
20	Front Panel Sub-Assy	2001216801
21	Rubber Plug (Water Tray)	76712012
22	Screw Cover	24252016
23	Guide Louver	10512157
24	Electric Box Cover1	22242135
25	Connecting pipe clamp	26112164
26	Stepping Motor	1521212901
27	Motor Press Plate(?)	26112161
28	Fan Motor	150120874
29	Shield Cover of Electric Box	01592119
30	Electric Box Cover2	20122075
31	Electric Box Assy	10000201751
32	Terminal Board	42011233
33	Electric Box	2011208201
34	Main Board	30148875
35	Jumper	4202300106
36	Capacitor CBB61S	33010747
37	Temperature Sensor	390000599
38	Temperature Sensor Room	390000453
39	Drainage Hose	0523001401
40	Soft Pipe Assy	N/A
41	Power Cord	N/A

GWH09MB-K3DNA4H/O (DRED)

Exploded View



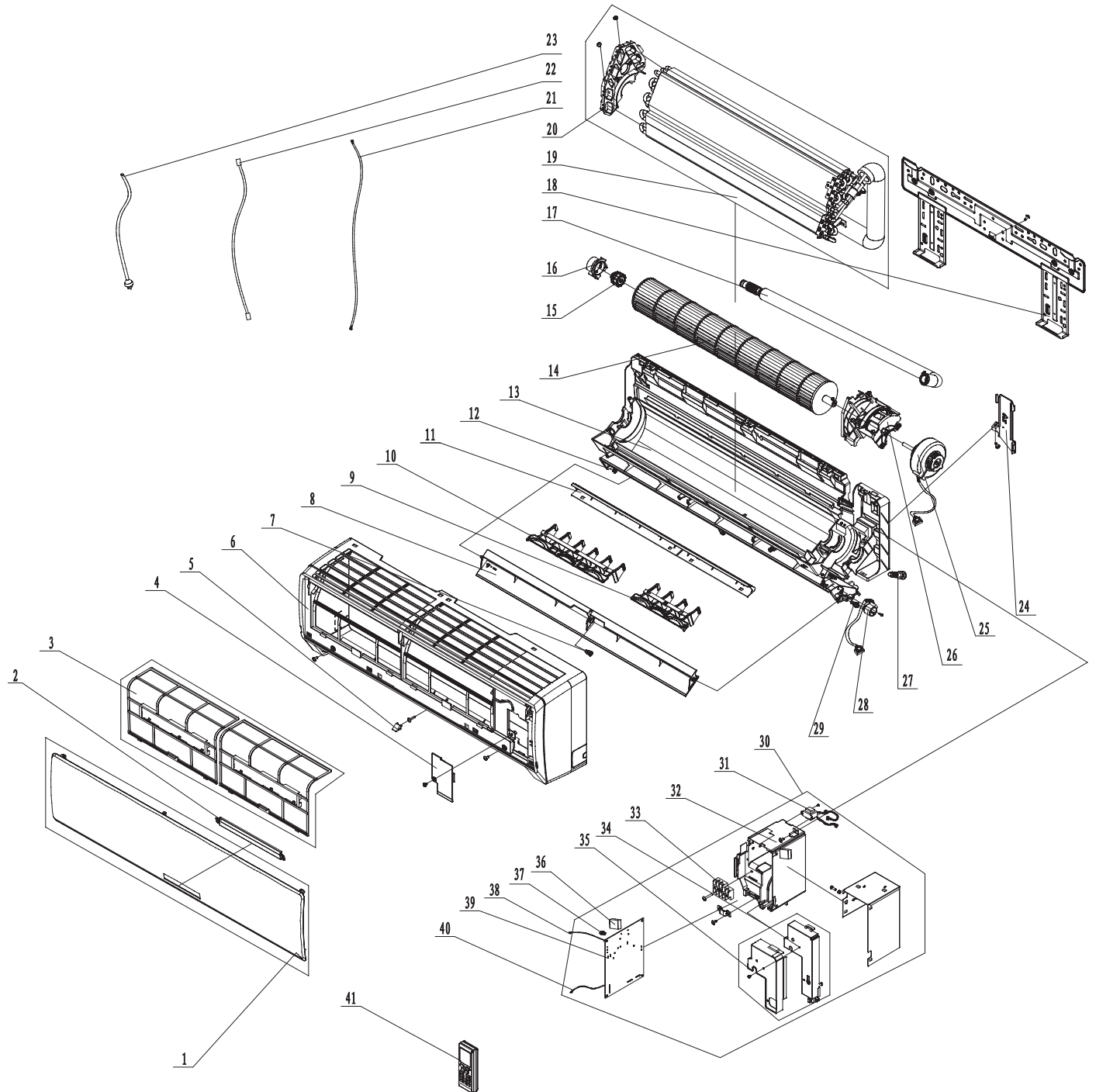
GWH09MB-K3DNA4H/O (DRED)

Spare Parts List

No.	Part Description	Part Code
1	Electric Box Assy	10000100122
2	Electric Box Sub-Assy	10000500043
3	Main Board W8673TD	30138000321
4	Reactor L8mH/10A	43130184
5	Terminal Board	42010313
6	Wire Clamp	71010003
7	Front Grill	22413008
8	Front Panel Assy	153304801
9	Axial Flow Fan	10333004
10	Chassis Sub-assy	02803151P
11	Fan Motor FW30J-ZL	1501308506
12	Small Handle	26233100
13	Top Cover Assy	1253099
14	Motor Support	170310401
15	Condenser Assy	1163393
16	Sensor Insert	42020063
17	Rear Grill	1473009
18	Capillary Sub-assy	3063740
19	Temp Sensor Sleeving	5212423
20	Cut off Valve 1/4(N)	7133082
21	Big Handle	262334332
22	Cut off Valve 3/8(N)	71302391
23	Valve Support	0171314201P
24	Right Side Plate Sub-Assy	130317801
25	4-Way Valve Assy	3073043
26	Clapboard Sub-Assy	123338502
27	Magnetic Ring (IV 38X13X19)	49010109
28	Compressor and Fittings QXA-A086zC190	0010322402_G
29	Drainage Connector	6123401
	Temperature Sensor O/Door	3900030804
	Comms Interface Board TS853A	30110103

GWH12MB-K3DNA2H/I (DRED)

Exploded View



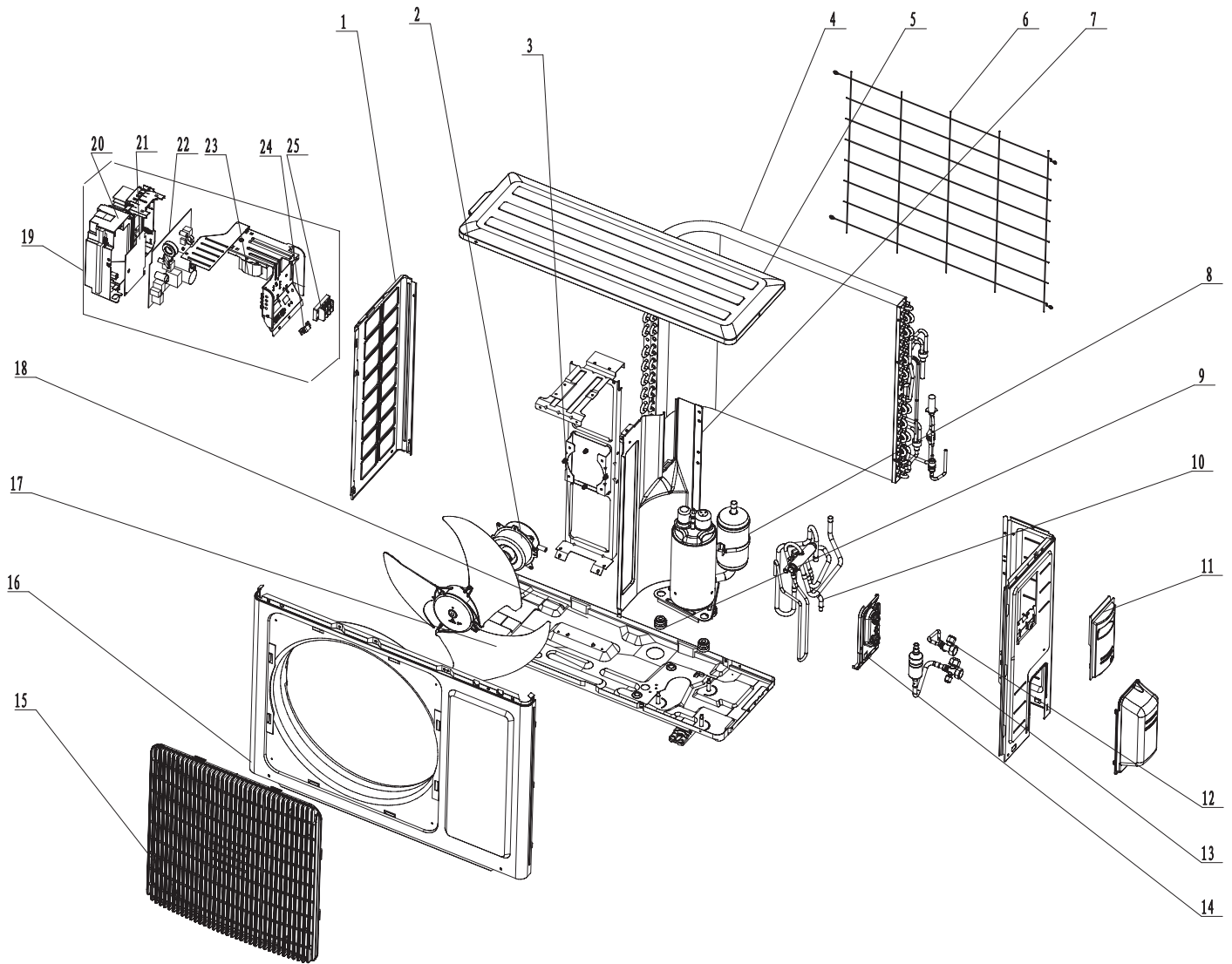
GWH12MB-K3DNA2H/I (DRED)

Spare Parts List

No.	Part Description	Part Code
1	Front Panel Sub-Assy	2001216801
2	Display Board	30565056
3	Filter Sub-Assy	1112220403
4	Electric Box Cover2	20122075
5	Screw Cover	24252016
6	Front Case Sub-assy	20012139
7	Axile Bush	10542036
8	Guide Louver	10512157
9	Air Louver 1	10512156
10	Air Louver 2	10512155
11	Helicoid Tongue	26112163
12	Left Axile Bush	10512037
13	Rear Case assy	2220210302
14	Cross Flow Fan	10352017
15	O-Gasket sub-assy of Bearing	7651205102
16	Ring of Bearing	26152022
17	Drainage Hose	523001401
18	Wall Mounting Frame	1252021
19	Evaporator Assy	100242203
20	Evaporator Support	24212091
21	Connecting Cable	4002052330
22	Connecting Cable	N/A
23	Power Cord	N/A
24	Connecting pipe clamp	26112164
25	Fan Motor	150120874
26	Motor Press Plate	26112161
27	Rubber Plug (Water Tray)	76712012
28	Stepping Motor	1521212901
29	Crank	10582070
30	Electric Box Assy	10000201022
31	Transformer	N/A
32	Electric Box	2011208201
33	Terminal Board	42011233
34	Shield Cover of Electric Box	1592119
35	Electric Box Cover1	22242135
36	Capacitor CBB61S	33010747
37	Jumper	4202300107
38	Temperature Sensor Room	390000453
39	Main Board	30148875
40	Temperature Sensor Tube	390000599
41	Remote Controller	30510516 / 30510125

GWH12MB-K3DNA4H/O (DRED)

Exploded View



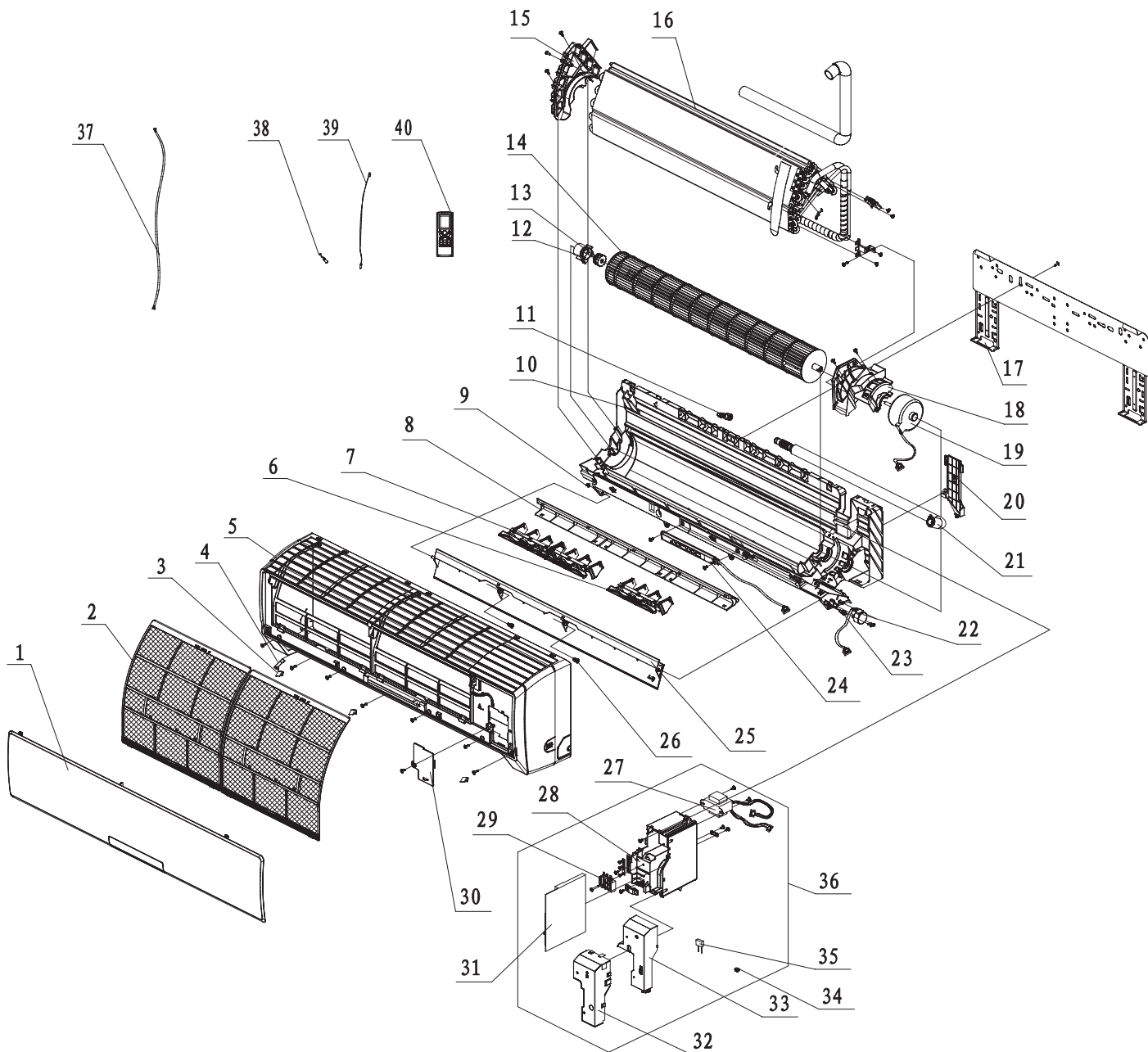
GWH12MB-K3DNA4H/O (DRED)

Spare Parts List

No.	Part Description	Part Code
1	Left Side Plate	01303200P
2	Fan Motor	1501308506
3	Motor Support	01703136
4	Condenser Assy	01100200122
5	Top Cover Sub-Assy	01253081
6	Rear Grill	01475014
7	Clapboard Sub-Assy	01233208
8	Compressor and Fittings	00103892
9	Compressor Gasket	76713027
10	4-Way Valve Assy	03015200083
11	Big Handle	2623343106
12	Cut off Valve	07130239
13	Cut off Valve 1/2	071302392
14	Valve Support	0171314201P
15	Front Grill	22413014
16	Front Panel Assy	01533052
17	Axial Flow Fan	10333011
18	Chassis Sub-assy	01700000033P
19	Electric Box Assy	10000100123
20	Electric Box Sub-Assy	10000500044
21	Communication Interface Board	30110103
22	Main Board	30138000435
23	Reactor	43130184
24	Wire Clamp	71010003
25	Terminal Board	42010313
	Temperature Sensor	3900030804
	EXV Coil	72002000012

GWH18MC-K3DNA2H/I (DRED)

Exploded View



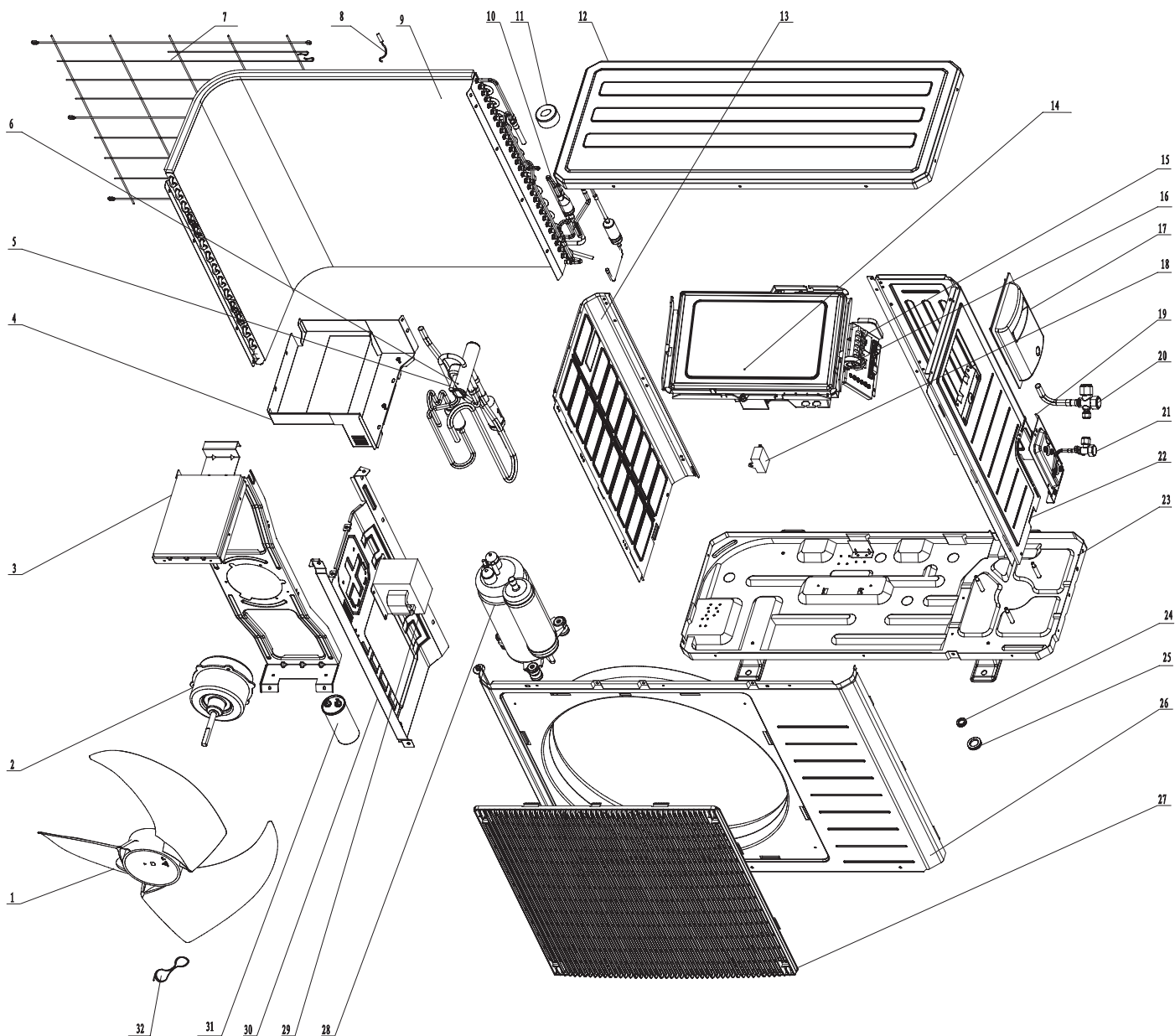
GWH18MC-K3DNA2H/I (DRED)

Spare Parts List

No.	Part Description	Part Code
1	Front Panel Assy	20012283
2	Filter Sub-Assy	1112208901
3	Screw Cover	24252016
4	Baffle Plate	26112228
5	Front Case Sub-assy	20022172
6	Air Louver 1	10512116
7	Air Louver 2	10512117
8	Helicoid Tongue	26112238
9	Left Axile Bush	10512037
10	Rear Case assy	12312214
11	Rubber Plug (Water Tray)	76712012
12	Ring of Bearing	26152022
13	O-Gasket sub-assy of Bearing	7651205102
14	Cross Flow Fan	10352019
15	Evaporator Support	24212133
16	Evaporator Assy	01002575
17	Wall Mounting Frame	01252218
18	Motor Press Plate	26112494
19	Fan Motor	15012146
20	Connecting pipe clamp	26112164
21	Drainage Hose	05230014
22	SteppingMotor	15012086
23	Crank	10582070
24	Display Board	30565039
25	Guide Louver	10512115
26	Axile Bush	10542036
27	Transformer	N/A
28	Electric Box	2011210801
29	Terminal Board	42011233
30	Electric Box Cover2	20112081
31	Main Board	30138000014
32	Shield Cover of Electric Box	01592092
33	Electric Box Cover1	20122154
34	Jumper	4202300108
35	Capacitor CBB611A	3301074712
36	Electric Box Assy	10000200194
37	Connecting Cable	4002052317
38	Temperature Sensor Room	390000453
39	Temperature Sensor 20k	390000599
40	Remote Controller / YAA1FB	30510516 / 30510125

GWH18MC-K3DNA4H/O (DRED)

Exploded View



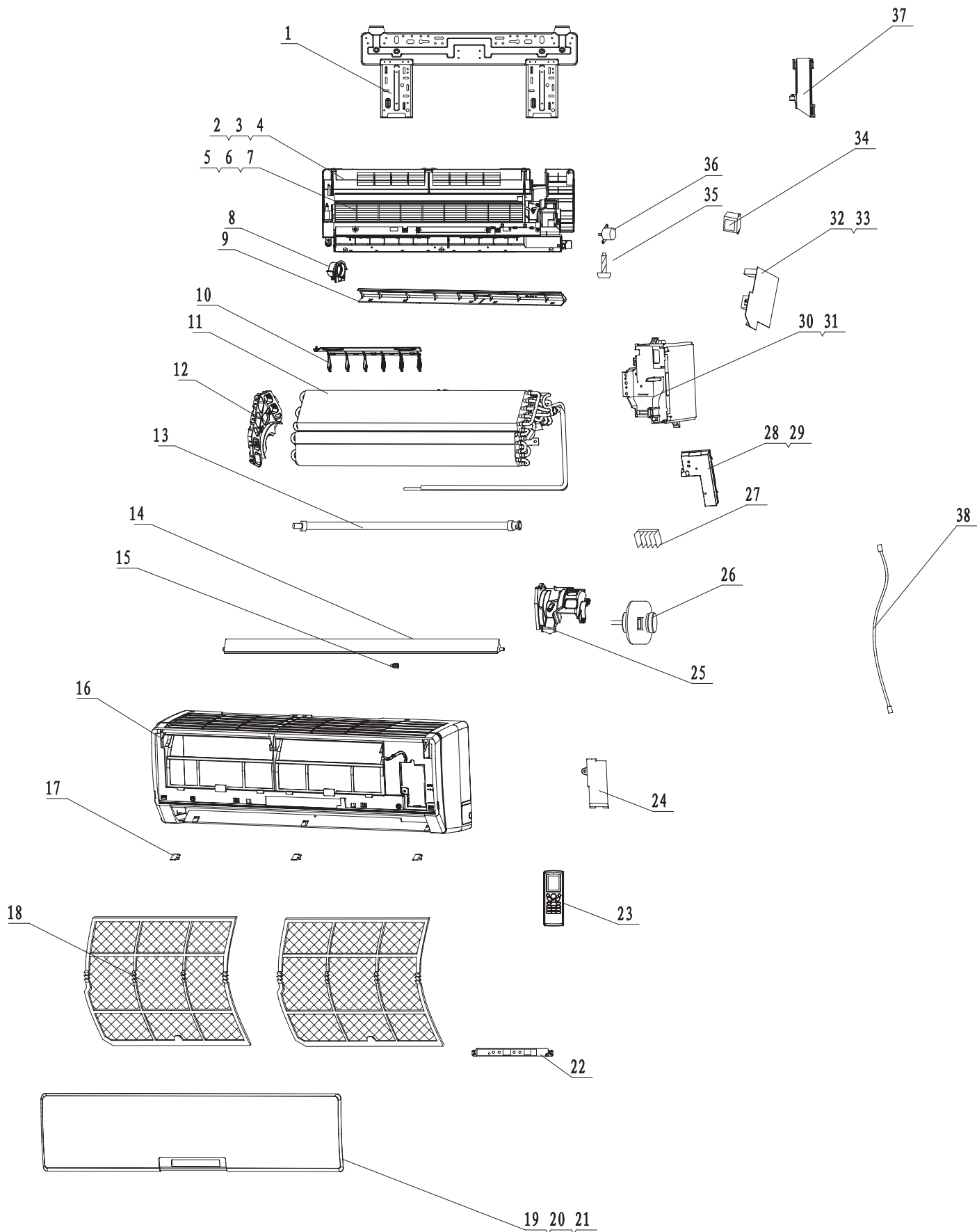
GWH18MC-K3DNA4H/O (DRED)

Spare Parts List

No.	Part Description	Part Code
1	Axial Flow Fan	10335008
2	Fan Motor	15015064
3	Motor Support Sub-Assy	01703154
4	Electric Box (Fireproofing)	01413148
5	Magnet Coil	4300040045
6	4-Way Valve Assy	03123667
7	Rear Grill	01473043
8	Temperature Sensor	3900030901
9	Condenser Assy	01163080
10	Electronic Expansion Valve	N/A
11	Electric expand valve fitting	N/A
12	Coping (Top Cover)	01255005P
13	Left Side Plate	01305093P
14	Electric Box Assy (Contains PCB)	10000100024
15	Terminal Board	420101943
16	Magnetic Ring	N/A
17	Handle	26233053
18	Capacitor CBB61	N/A
19	Valve Support Assy	01715010P
20	Cut off Valve Sub-Assy	07133210
21	Cut off Valve 1/2	07130239
22	Right Side Plate Assy	01303292
23	Chassis Sub-assy	0280306202P
24	Drainage Connector	06123401
25	Drainage Plug	N/A
26	Front Panel Assy	0000030002501
27	Front Grill	22415002
28	Compressor and fittings	00205262
29	Reactor	43130021
30	Clapboard Sub-Assy	01232902
31	Capacitor CBB65	33000065
32	Connecting Cable	4002054027

GWH24MD-K3DNA2H/I (DRED)

Exploded View



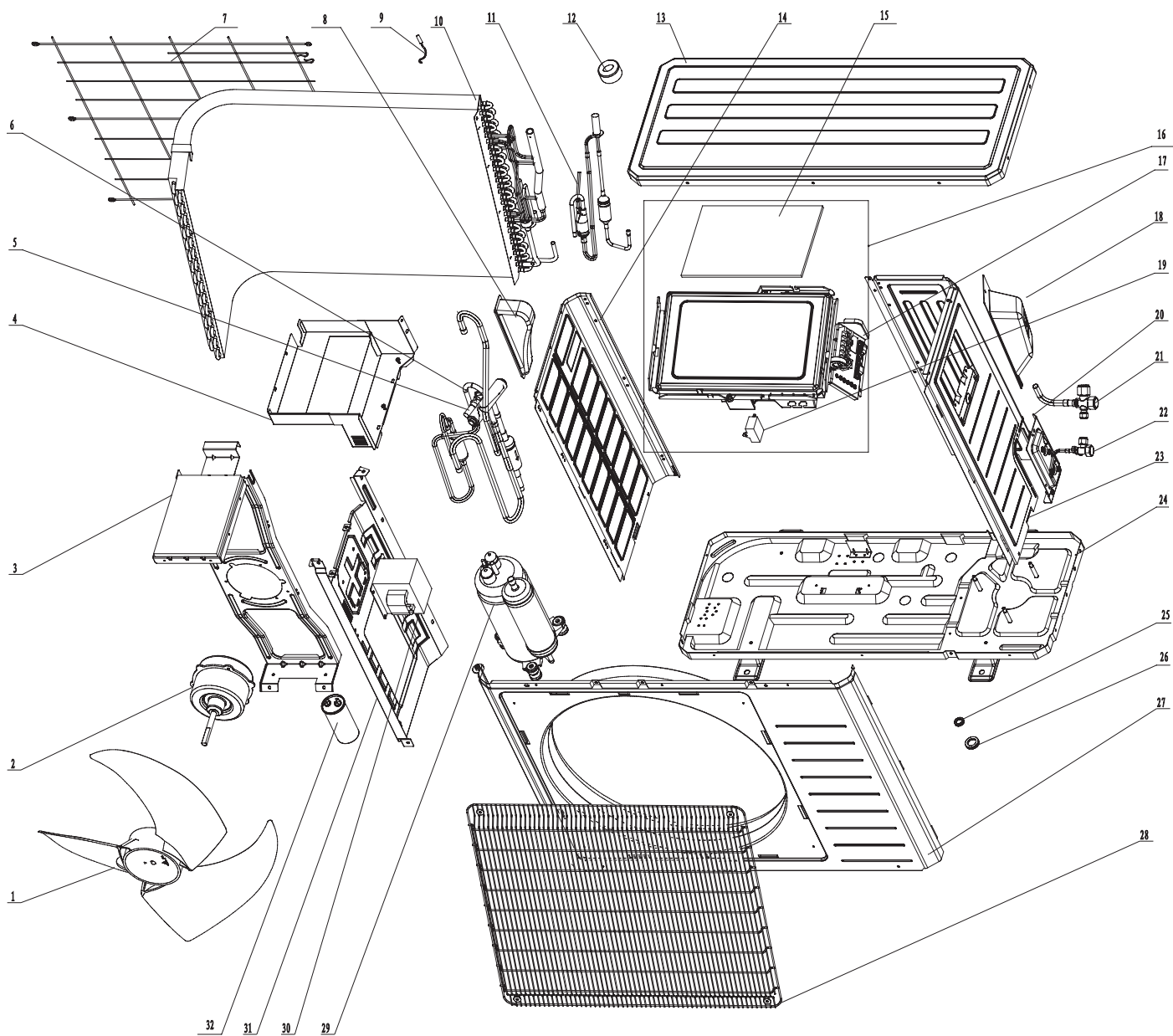
GWH24MD-K3DNA2H/I (DRED)

Spare Parts List

No.	Part Description	Part Code
1	Wall Mounting Frame	01252032
2	Rear Case assy	2220211706
3	Left Axile Bush	10512037
4	Crank	10582070
5	Cross Flow Fan	10352045
6	O-Gasket sub-assy of Bearing	7651205102
7	O-Gasket of Cross Fan Bearing	76512203
8	Ring of Bearing	26152025
9	Helicoid Tongue	26112187
10	Air Louver 1	10512159
11	Evaporator Assy	01002000004
12	Evaporator Support	24212103
13	Drainage Hose	0523001405
14	Guide Louver	10512118
15	Axile Bush	10542036
16	Front Case Assy	20012329
17	Screw Cover	24252016
18	Filter Sub-Assy	11122091
19	Front Panel Assy	20012369
20	Front Panel	20012306S
21	Receiver Window	N/A
22	Display Board D5183Q	30565039
23	Remote Controller YB1FA(MOTO)	30510516
24	Electric Box Cover2	20112081
25	Motor Press Plate	26112316
26	Fan Motor FN25A-PG	15012098
27	Terminal Board	42011233
28	Electric Box Cover1	20122154
29	Shield Cover of Electric Box	01592092
30	Electric Box Assy	10000200149
31	Electric Box	2011210801
32	Main Board M836F2AXJ	30138000013
33	Jumper	4202300110
34	Transformer	N/A
35	Rubber Plug (Water Tray)	76712012
36	Stepping Motor MP35XX	1521300101
37	Connecting pipe clamp	26112188
38	Connecting Cable	4002052330
	Temperature Sensor Room	390000453
	Temperature Sensor Tube	390000599
	YAA1FB (IFEEL - use this for replacements)	30510125

GWH24MD-K3DNA4H/O (DRED)

Exploded View



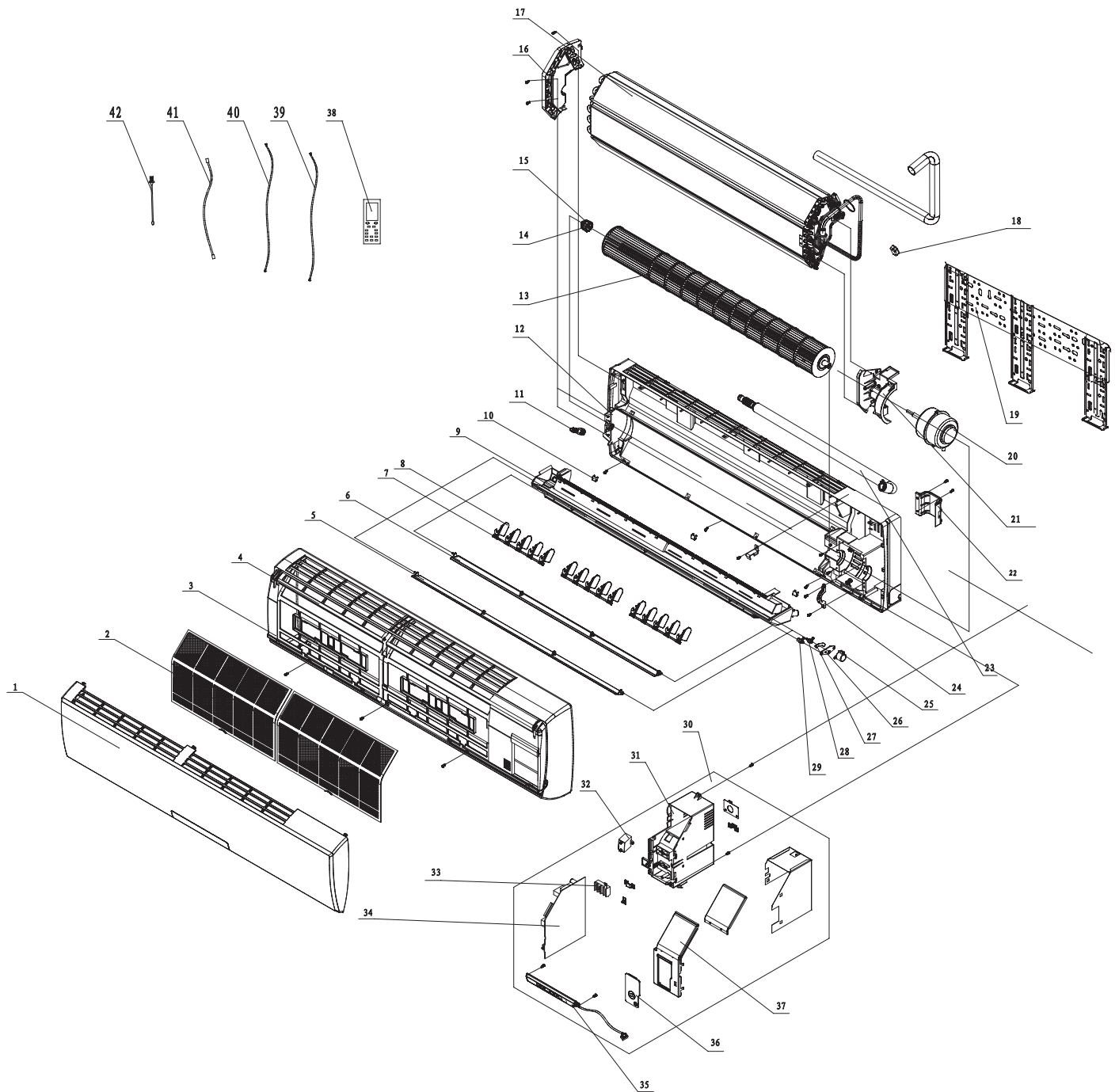
GWH24MD-K3DNA4H/O (DRED)

Spare Parts List

No.	Part Description	Part Code
1	Axial Flow Fan	10335008
2	Fan Motor	15015064
3	Motor Support Sub-Assy	0170512001
4	Electric Box (Fireproofing)	01413148
5	Magnet Coil	4300040045
6	4-Way Valve Assy	03123661
7	Rear Grill	01473043
8	Left Handle	N/A
9	Temperature Sensor	3900030901
10	Condenser Assy	01163317
11	Electronic Expansion Valve	N/A
12	Electric expand valve fitting	N/A
13	Coping (Top cover)	01255005P
14	Left Side Plate	01305093P
15	Insulated Board (Cover of Electric Box)	20113003
16	Electric Box Assy (Contains main PCB)	10000100022
17	Terminal Board	420101943
18	Handle	26233053
19	Capacitor CBB61	N/A
20	Valve Support Sub-Assy	01713098P
21	Cut off Valve	07133157
22	Cut off Valve	07130239
23	Right Side Plate Assy	0130329201
24	Chassis Sub-assy	0280306201P
25	Drainage Connector	06123401
26	Drainage Plug	N/A
27	Front Panel Assy	0000030002501
28	Front Grill	22415002
29	Compressor and Fittings	00103807
30	Reactor	43130021
31	Clapboard Sub-Assy	01232902
32	Capacitor CBB65	33000065

GWH24ME-K3DNA1A/I (DRED)

Exploded View



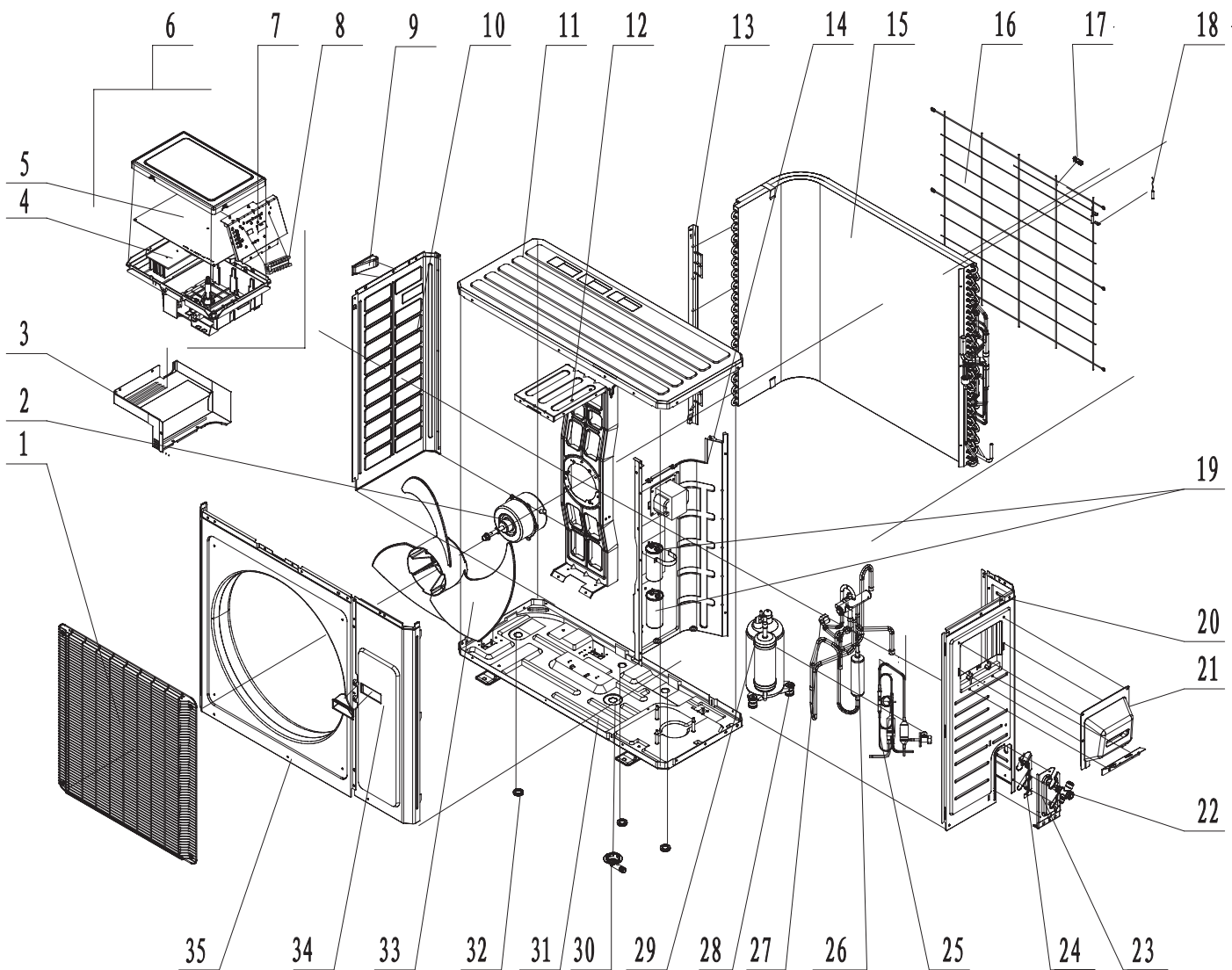
GWH24ME-K3DNA1A/I (DRED)

Spare Parts List

No.	Part Description	Part Code
1	Front Panel Sub-Assy	20012789
2	Filter Sub-Assy	11122112
3	Front Case	2000237002
4	Front Case Sub-assy	2000257202
5	Upper Guide Louver	10512062
6	Lower Guide Louver	10512063
7	Connecting Rod of Swing Louver	1058204003
8	Air Louver	1051248403
9	Water Tray	20182043
10	Screw Cover	242520053
11	Rubber Plug (Water Tray)	76712012
12	Rear Case Sub-Assy	22202092
13	Cross Flow Fan	10352420
14	O-Gasket sub-assy of Bearing	76512051
15	Axile Bush	10542704
16	Left Evaporator Support	24212041
17	Evaporator Assy	01002000041
18	Fixed Clip (Evaporator)	02112009
19	Wall Mounting Frame	01252398
20	Fan Motor FN25R	1501212004
21	Right Support of Evaporator	2421204201
22	Pipe Clamp	26112071
23	Drainage Hose	0523001403
24	Motor Fixed Clip	26112354
25	SteppingMotor MP24BA	1521210701
26	Press Plate(Crank)	26112070
27	Crank-guide	10582041
28	Lower crank	10562005
29	Upper Crank	10562004
30	Electric Box Assy	10000202292
31	Electric Box	201022501
32	Capacitor CBB61 3uF/450V	3301074713
33	Terminal Board	42011233
34	Main Board M829F2ABJ	30148965
35	Display Board DBC513A	30562006
36	Electric Box Cover	20102252
37	Electric Box Cover	2011204402S
38	Remote Controller YB1FA(MOTO)	30510516
39	Connecting Cable	N/A
40	Connecting Cable	4002052330
41	Temperature Sensor 15k	39000320
42	Temperature Sensor 20k	390000596
	YAA1FB (IFEEL - use this for replacements)	30510125

GWH24ME-K3DNA3A/O (DRED)

Exploded View



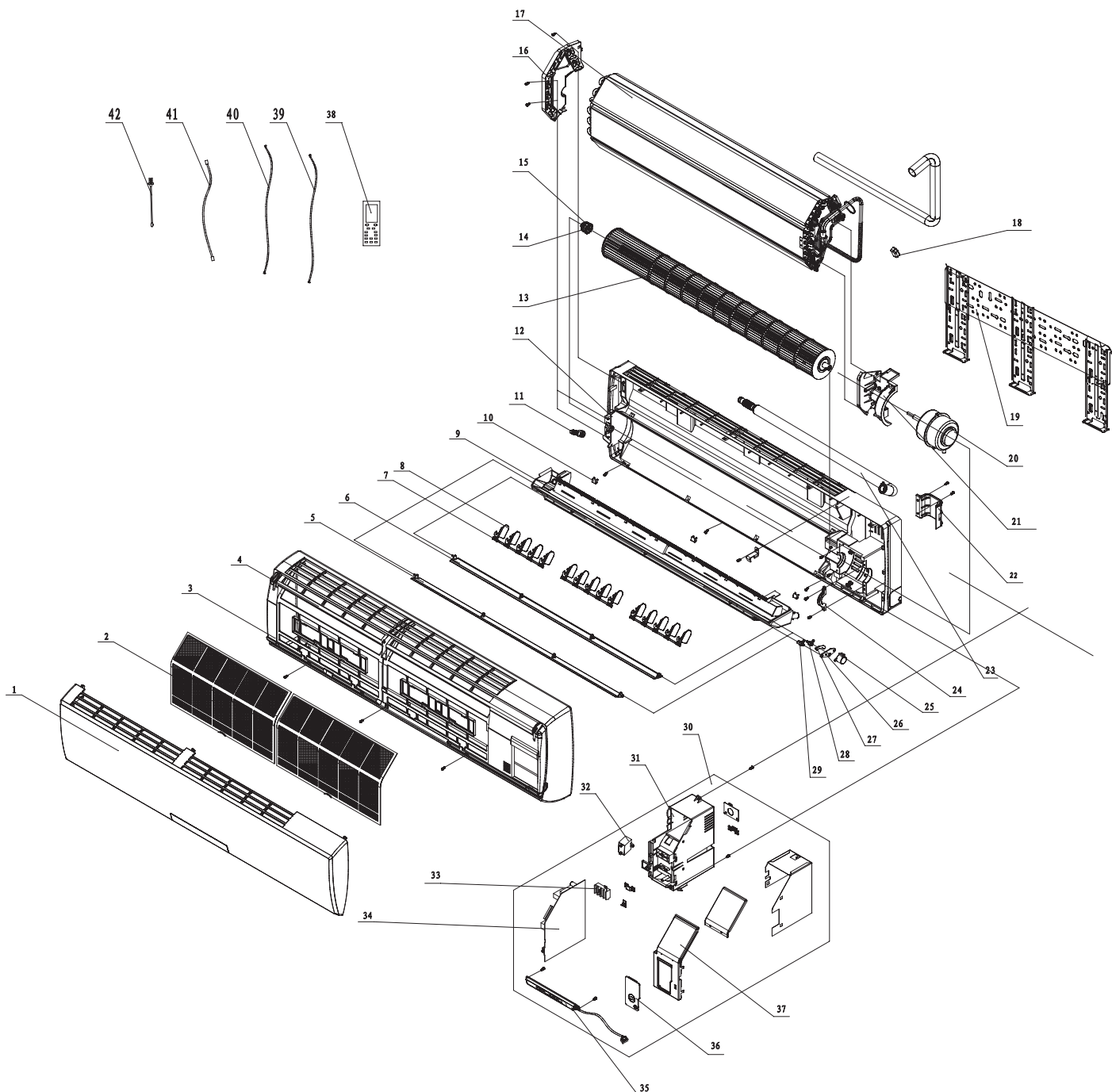
GWH24ME-K3DNA3A/O (DRED)

Spare Parts List

No.	Part Description	Part Code
1	Front Grill	22415003
2	Fan Motor LW125K	1501506204
3	Electric Box (Fireproofing)	01413426
4	Radiator TL-002 15X11	49010252
5	Main Board W8303BA	30138000278
6	Electric Box Assy	10000100021
7	Terminal Board Support sub-assy	01715016
8	Terminal Board	420101943
9	Left Handle	26235401
10	Left Side Plate	01305043P
11	Coping	01255006P
12	Motor Support Sub-Assy	01705025
13	Condenser Support Plate	01175092
14	Clapboard Sub-Assy	01235040
15	Condenser Assy	01113922
16	Rear Grill	01475013
17	Wiring Clamp	26115004
18	Temperature Sensor 20KT/15KS/50KT-JST-XARP-06V-1200/800/600mm	3900030901
19	Capacitor CBB65 60uF/450V	3300008107
20	Right Side Plate	01305044P
21	Big Handle	26235001
22	Cut off Valve 5/8(N)	07133157
23	Valve Support Sub-Assy	01715020P
24	Baffle(Valve Support)	01365435P
25	Capillary Sub-assy	0300551505
26	4-Way Valve Assy	03025297
27	Magnet Coil	4300040045
28	Compressor Gasket	76710207
29	Compressor and Fittings TNB220FLHMC	00105036
30	Drainage Connector	06123401
31	Chassis Sub-assy	0120509701P
32	Drainage Plug	N/A
33	Axial Flow Fan	10335014
34	Front Side Plate	01305086P
35	Front Panel Assy	01535014

GWH28ME-K3DNA1H/I (DRED)

Exploded View



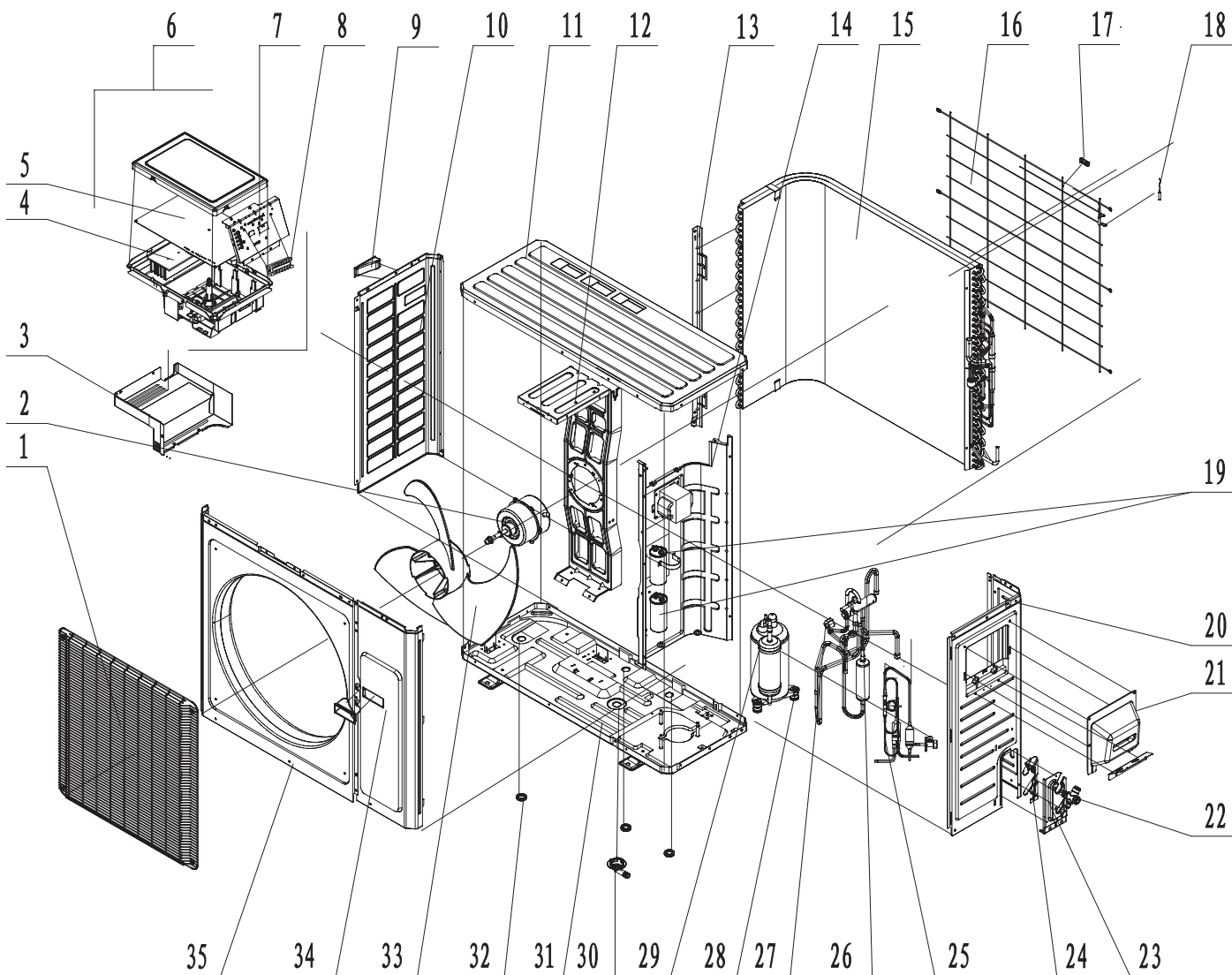
GWH28ME-K3DNA1H/I (DRED)

Spare Parts List

No.	Part Description	Part Code
1	Front Panel Sub-Assy	20012789
2	Filter Sub-Assy	11122112
3	Front Case	2000237002
4	Front Case Sub-assy	2000257202
5	Upper Guide Louver	10512062
6	Lower Guide Louver	10512063
7	Connecting Rod of Swing Louver	1058204003
8	Air Louver	1051248403
9	Water Tray	20182043
10	Screw Cover	242520053
11	Rubber Plug (Water Tray)	76712012
12	Rear Case Sub-Assy	22202092
13	Cross Flow Fan	10352420
14	O-Gasket sub-assy of Bearing	76512051
15	Axile Bush	10542704
16	Left Evaporator Support	24212041
17	Evaporator Assy	01002000041
18	Fixed Clip (Evaporator)	02112009
19	Wall Mounting Frame	01252398
20	Fan Motor FN30R	15012120
21	Right Support of Evaporator	2421204201
22	Pipe Clamp	26112071
23	Drainage Hose	0523001403
24	Motor Fixed Clip	26112354
25	SteppingMotor MP24BA	1521210701
26	Press Plate(Crank)	26112070
27	Crank-guide	10582041
28	Lower crank	10562005
29	Upper Crank	10562004
30	Electric Box Assy	10000202292
31	Electric Box	201022501
32	Capacitor CBB61 3uF/450V (P2/S3)	3301074713
33	Terminal Board	42011233
34	Main Board M829F2ABJ	30148965
35	Display Board DBC513A	30562006
36	Electric Box Cover	20102252
37	Electric Box Cover	2011204404S, 2011204402S
38	Remote Controller YB1FA(MOTO)/YAA1FB	30510516/30510125
39	Connecting Cable	N/A
40	Connecting Cable	4002052330
41	Temperature Sensor 15KS-XH-2P-K3	39000320
42	Temperature Sensor 20KT-EH-2P-K3	390000596

GWH28ME-K3DNA4H/O (DRED)

Exploded View



GWH28ME-K3DNA4H/O (DRED)

Spare Parts List

No.	Part Description	Part Code
1	Front Grill	22415003
2	Fan Motor LW125K	15010100000104 (1501506204 Old)
3	Electric Box (Fireproofing)	01413426
4	Radiator TL-002 15X11	49010252
5	Main Board W8533Y	30138000279
6	Electric Box Assy	10000200147
7	Terminal Board Support sub-assy	01715016
8	Terminal Board	420101943
9	Handle	26233053, 26235401
10	Left Side Plate	01305043P
11	Coping	01255006P
12	Motor Support Sub-Assy	01705437
13	Condenser Support Plate	01175092
14	Clapboard Assy	01233138
15	Condenser Assy	01163314
16	Rear Grill	01475013
17	Wiring Clamp	26115004
18	Temperature Sensor 20KT/15KS/50KT-JST-XARP-06V-1200/800/600mm	3900030901
19	Capacitor CBB65 60uF/450V(P2/S3)	3300008107
20	Right Side Plate	01305044P
21	Big Handle	26235001, 2623500101
22	Cut off Valve 5/8(N)	07133157
23	Valve Support Sub-Assy	01715020P
24	Baffle(Valve Support)	01365435P
25	Capillary Sub-assy	03063803
26	4-Way Valve Assy	03123725
27	Magnet Coil	4300040045
28	Compressor Gasket	76710207
29	Compressor and Fittings TNB220FLHMC	00105036
30	Drainage hole Cap	06813401, 06123401
31	Chassis Sub-assy	0120509702P
32	Drainage Plug	N/A
33	Axial Flow Fan	10335014
34	Front Side Plate	01305086P
35	Front Panel Assy	01535014

It is the policy of Gree Australia to introduce continuous product improvements.
Accordingly, specifications are subject to change without notice.
Please consult with your dealer to confirm the specifications of the model selected.

1800 473 346
greeac.com.au

